

# KBX IAMBIC C-MOSBUGI

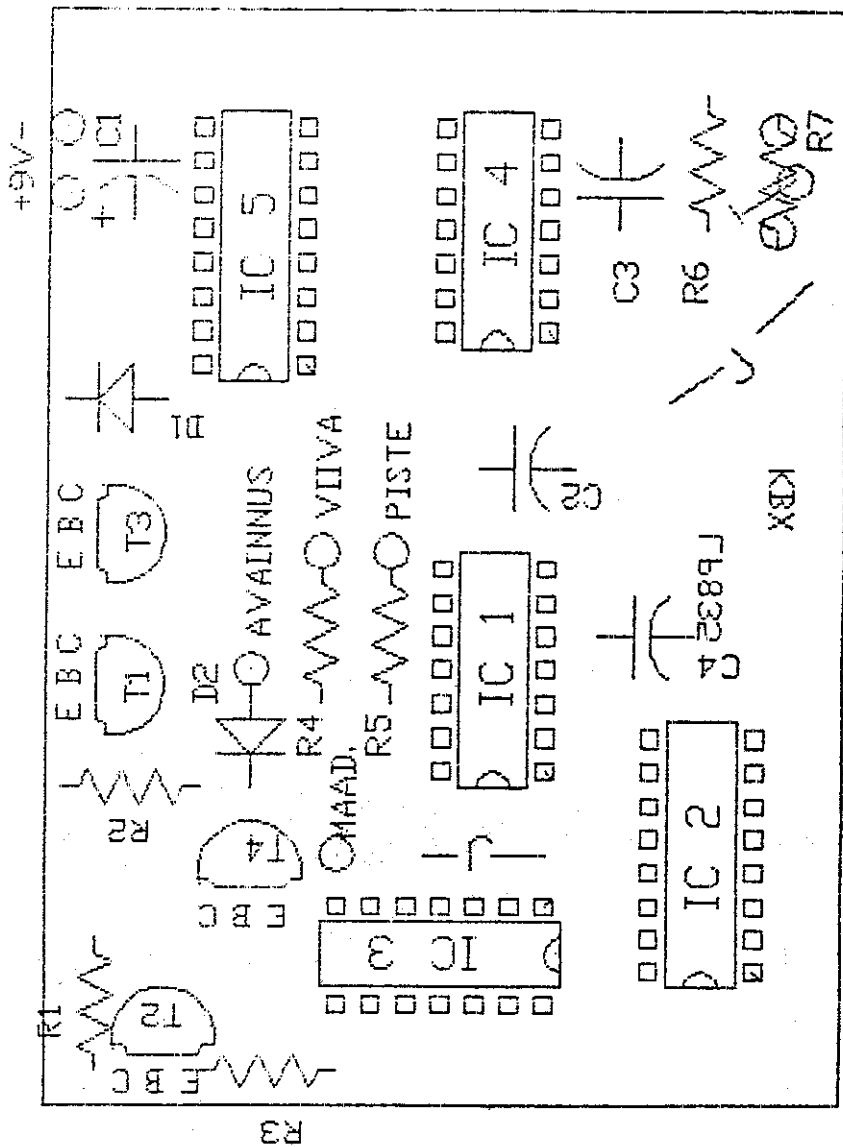
## OSALUETTELO:

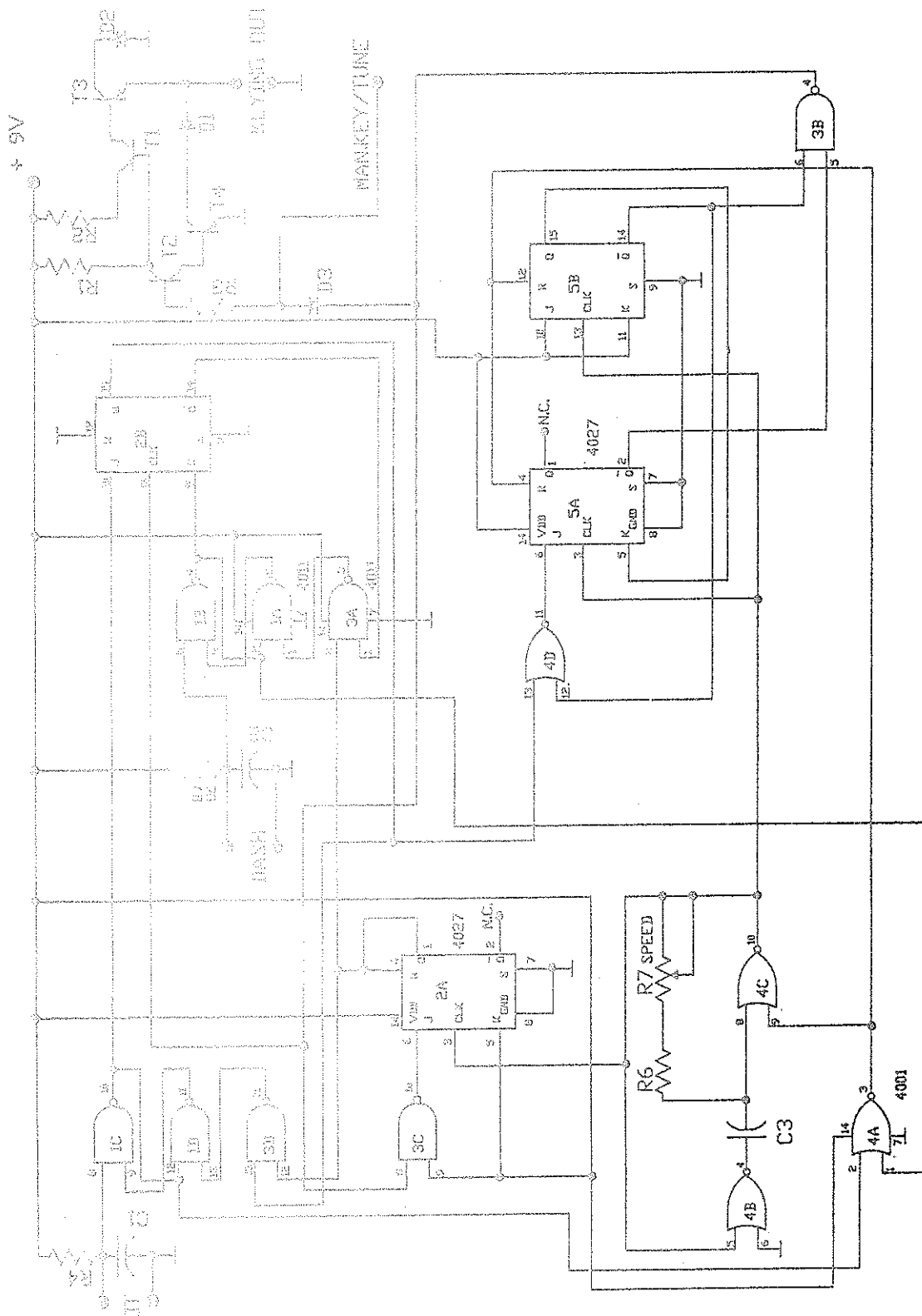
- R1 : 470K
- R2 : 4.7K
- R3 : 10K
- R4,R5,R6 : 100K
- R7 : 470K LINPOTMET.
- C1 : 33  $\mu$ F/16V TANT.
- C2,C4: 1 nF/kerko
- C3 : 100 nF/polko
- D1,D2 : 1N4004
- T1 : BC 557 B, BC 638, BC 640 B
- T2,T3,T4: BC 547 B, BC 639 B
- IC1,IC3 : MC 14011
- IC2,IC5 : MC 14027
- IC4 : MC 14001

J = HYPYLANKA  
(*"jumpwire"*)

TH-YHTYMA OY  
ITAPIKKAKATU 6  
28200 PORI  
939/334098

## OSASIJUOITTELU





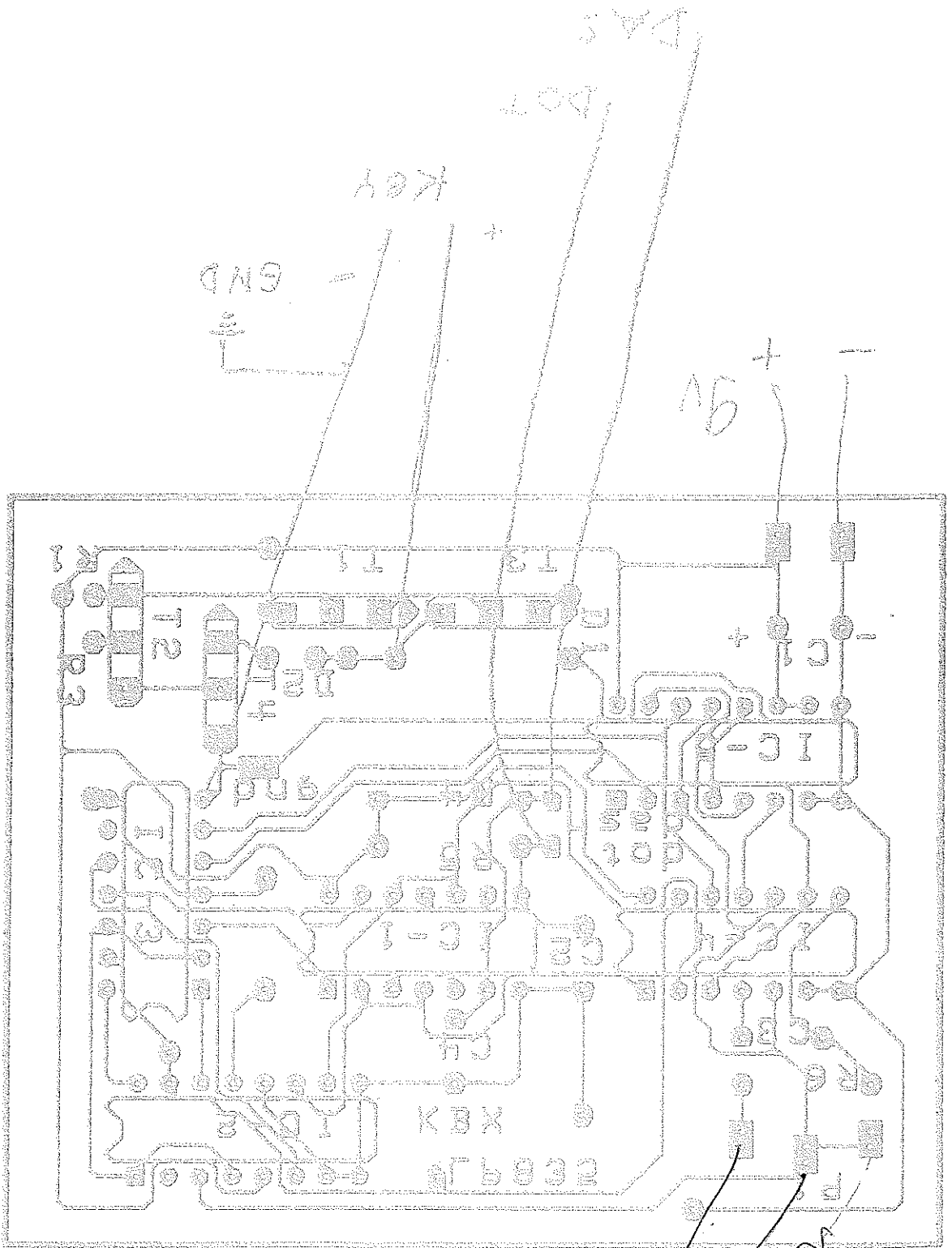
KBX IAMBIL C-MDS KLEYEK

Lehr/Lehrerin

Pinusnummer

Aufgaben OS

Konrad



A radio receiver circuit board layout, featuring vacuum tube sockets (I-1 through I-8), transformer sockets (T-1, T-2, T-3), and a key socket (KEY). Handwritten annotations include 'DAS', 'DOT', 'GND', and '15V'. A large handwritten signature 'W' is present. The board is labeled 'K B X' and 'A 7 8 3 2'.  
 A patent meter is shown at the bottom right, with the text 'Patent Meter' written vertically.

