

# Icom Data Interface

By 'The Doctor' (QST magazine)

SHOWN IN Fig 1 is the circuit for a handy little interface, suitable for computer control of Icom transceivers. It also works with Ten-Tec transceivers. The significant component is IC1, an RS-232-D

transceiver chip, which translates between the TTL levels the rigs use and the RS-232-D that computers use.

The data termination is shown with a 25-way D-type connector, but it can also be used

(suitably re-wired) with a 9-way D-type. It plugs into the data socket of the transceiver, using a 3.5mm mono jack plug. The whole thing can be built on stripboard. ♦

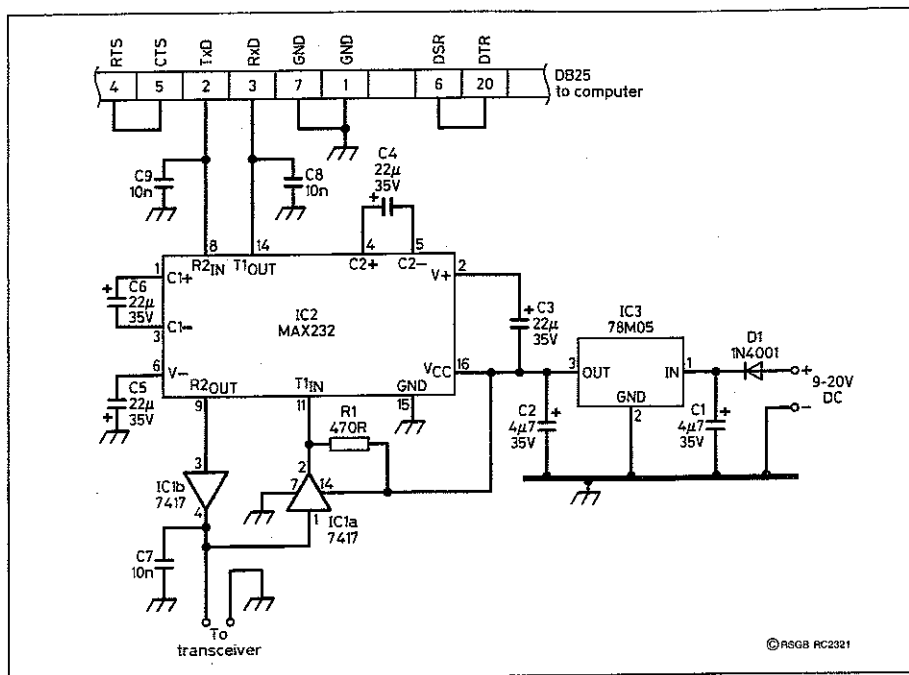


Fig 1: Computer interface for PC control of Icom and Ten-Tec transceivers.

## Components

### Resistor (1/4W)

R1 470R

### Capacitors

C1, 2 4.4µF 35V electrolytic  
C3, 4, 5, 6 22µF 35V electrolytic  
C7, 8, 9 10nF ceramic disc

### Semiconductors

IC1 7417\*  
IC2 MAX232\*  
IC3 7805  
D1 1N4001

### Miscellaneous

Stripboard  
25-way D-type connector  
3.5mm mono jack plug

\*Available from JDR Microdevices (www.jdr.com)

## book choice

### ARRL's Wire Antenna Classics

A collection of the best articles from ARRL Publications

Described by RSGB Staff

AS DAVE SUMNER, K1ZZ, of ARRL says, "Wire antennas range from simple to complex, and you can probably find one to deliver the performance you want. Most hams who operate on the bands below 30MHz have at least one wire antenna. Some have only wire antennas!

"This is a book of antennas and ideas... Some of the chapters are classics that were published before most of us were born. Others re-

flect the benefits of using the latest in computer modelling, followed by physical testing."

Chapters include: Dipoles; Multiband Dipoles, Loops, Colinears; Vs and Rhombics; Wire Beams, Vertically Polarised; Our Friend the Tree; Receiving Antennas; and Antenna Ideas From W1JF.

Price £13.60 (RSGB members) - £16.00 (non members). See RSGB Shop on page 92/93.

Published by the American Radio Relay League.

ISBN: 0-87259-707-5

### ON4UN's Low Band DXing

By John Devoldere, ON4UN

Described by RSGB Staff

THIS IS THE third edition of the essential guidebook for low band operators, be they contesters, DX enthusiasts, or occasional visitors.

John Devoldere, ON4UN, will need no introduction to those who are already active on the 'low bands' or in contesting. On

160m John has worked more than 280 countries and has the highest country score outside of the USA. His outstanding results are certainly not the result of pure luck. They are brought about by a professional approach, which John shares with readers of this new book.

Chapters include: Propagation; Operating Techniques; Equipment; Software; Feed Lines; several chapters on antennas; From Low Band DXing to Contesting; and Literature Review.

592 pages, 275mm x 209mm softback.

Price £16.58 (RSGB members) - £19.50 (non members). See RSGB Shop on page 92/93.

Published by the American Radio Relay League.

ISBN: 0-87259-704-0

